

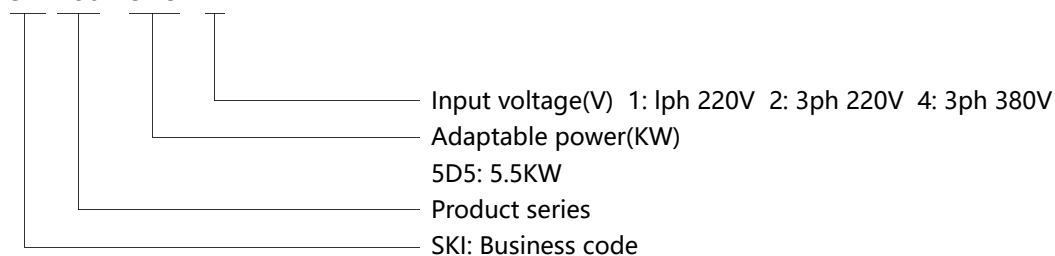
SKI780 MINI VECTOR CONTROL INVERTER



Based on the market demand of small power, small volume and low cost, SKI780 mini type inverter single-phase 220VAC and three-phase 380VAC mini inverter are introduced. As a small universal vector inverter, SKI780 series frequency inverter adopts the international advanced vector control algorithm. It has excellent performance, compatible screw fixing and track installation, more convenient maintenance, complete functions and easy to use.

Model Instruction

SKI 780 - 5D5 - 4



Technique Index

- Power Range: 0.75KW~500KW/380V, 0.75KW~2.2KW/220V
- Power Range: 0.75KW~5.5KW
- Input Voltage Range: single phase 220V±15% or three phase 380V±15%, 50/60Hz
- Output Voltage: 3PH 0~220V or 3PH 0~380V
- Output Frequency Range: 0Hz~1000Hz
- Control Mode: V/F control, PG free current vector control
- Built-in PID: optimized PID design can make the system run stably and avoid frequent loading and unloading regulation
- Overload Capacity: 110% rated current long-time running; 150% rated current 1 minute; 180% rated current 5 second
- Torque Boost: automatic torque boosting, manual torque boosting 0.1%~30.0%
- Multi-stage Speed: multistage speed operation via built-in PLC or control terminal
- Protect Function: more than 20 protect functions such as over current, over voltage, under voltage, over temperature, over load, phase failure
- Frequency Setting: digital, analog voltage, analog current, impulse, terminal, multi-stage speed and so on.

Application

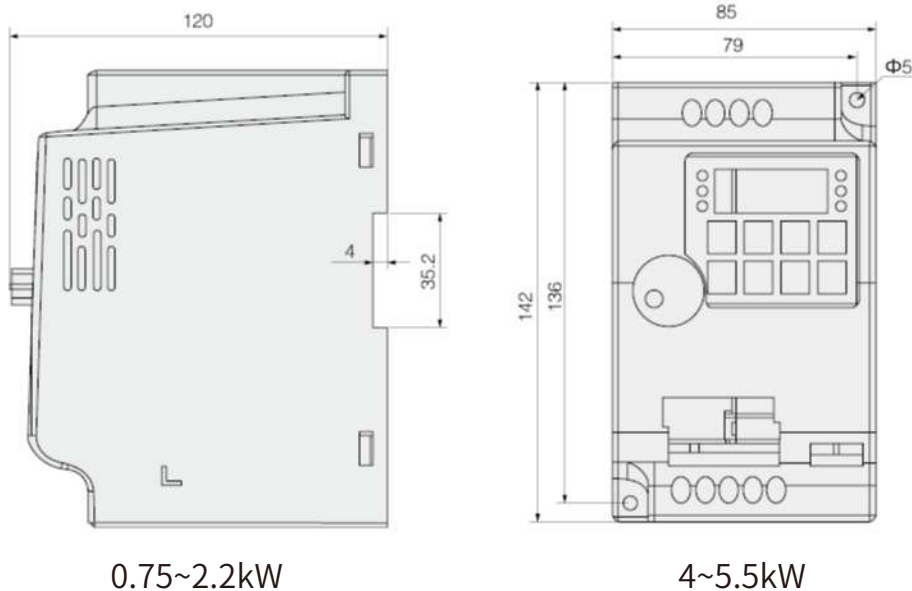
SKI780 inverter can be widely used In woodworking carving, glass grinding, food cans, medical centrifuge, automatic production line, electronic equipment, logistics equipment ceramic equipment, textile and other representatives of small automatic machinery.

SKI780 MINI VECTOR CONTROL INVERTER

The main technical parameters

Model No.	Voltage(V)	Power(kW)	Rated input current(A)	Rated output current(A)
SKI780-0D75-1	Single phase 220V	0.75kW	10	5.0
SKI780-1D5-1		1.5kW	14.2	7.0
SKI780-2D2-1		2.2kW	23	10.0
SKI780-0D75-4		0.75kW	3.4	2.5
SKI780-1D5-4	Three phase 380V	1.5kW	5.8	3.7
SKI780-2D2-4		2.2kW	5.8	5.0
SKI780-4D0-4		4.0kW	10	9.0
SKI780-5D5-4		5.5kW	15	13

Dimensions



The main technical parameters

Power(kW)	Installation size			Installation size		Mounting hole dimension(mm) (kg)
	H(mm)	W(mm)	D(mm)	A(mm)	B(mm)	
0.75~2.2	142	85	120	73	130	1.5
4~5.5	180	95	115	85	170	2